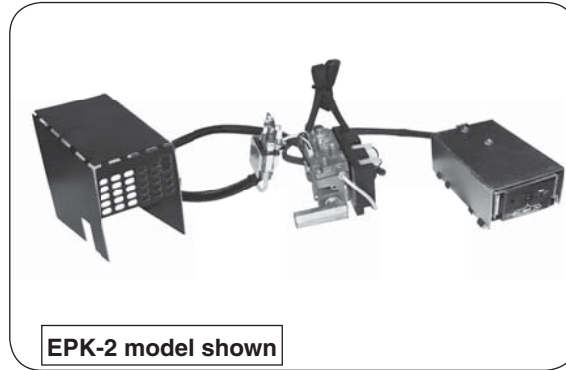




AUTOMATIC REMOTE LIGHTING SAFETY PILOT SYSTEM FOR NATURAL OR PROPANE GAS

Models:
EPK-2(M)(P)



EPK-2 model shown

FEATURES:

- INTERMITTENT PILOT IGNITION •
- NON-STANDING FLAME-SENSING PILOT •
- MANUAL SWITCH ON/OFF •
- OPTIONAL REMOTE CONTROL •

SUITABLE FOR THE FOLLOWING BURNERS:

- P BURNERS •
- PAN BURNERS •
- P45 BURNERS •
- G4 SERIES BURNERS •
- G45 SERIES BURNERS •

EPK-2 PILOT KITS

WARNING

If the information in this manual is not followed exactly, a fire or explosion may result, causing property damage, personal injury, or loss of life.

Do not store or use gasoline or other flammable vapors and liquids in the vicinity of this or any other appliance.

WHAT TO DO IF YOU SMELL GAS:

- Open a window.
- Do not try to light any appliance.
- Do not touch any electrical switch; do not use any phone in the building.
- Immediately call the gas supplier from a neighbor's phone and follow the gas supplier's instructions.
- If you cannot reach the gas supplier, call the fire department.

Installation and service must be performed by an NFI Certified or other qualified professional installer, service agency, or the gas supplier.

INSTALLER & CONSUMER

These instructions **MUST** be retained with this appliance

Important: Read these instructions carefully before starting installation of the burner control system.

The Peterson Real-Fyre® burner system is to be installed only in a solid-fuel-burning fireplace with a working flue constructed of noncombustible material. Solid fuels shall not be burned in a fireplace where the unit is installed. The installation, including provisions for combustion, ventilation air, and required minimum permanent vent opening, must conform with the *National Fuel Gas Code (ANSI Z223.1/NFPA 54)* and applicable local building codes. In Canada, the installation must conform with the *Natural Gas and Propane Storage and Handling Installation Code (CSA-B-149.1)*. A damper stop clamp is included to maintain the minimum permanent vent opening and to prevent full closure of the damper blade. **The chimney damper must be fixed fully opened when burning the unit. The burner system is designed to burn with yellow flames; thus, adequate ventilation is absolutely necessary.**



We recommend that our gas hearth products be installed and serviced by professionals who are certified in the U.S. by the National Fireplace Institute® (NFI) as NFI Gas Specialists.

TABLE OF CONTENTS

GETTING STARTED

IMPORTANT INFORMATION.....	3
SPECIFICATIONS.....	3
REPLACEMENT PARTS LIST.....	4

INSTALLATION

INSTALLATION.....	5
<i>PREPARATION</i>	5
<i>INSTALL PILOT MOUNTING BRACKET</i>	5
<i>INSTALL VALVE</i>	5
<i>INSTALL FLAME DIVERTER BRACKET</i>	5
<i>INSTALL PILOT ASSEMBLY TO BURNER</i>	6
<i>CONNECT TO GAS SUPPLY</i>	7
<i>CHECK THE WIRE CONNECTIONS</i>	8
<i>INSTALL BATTERIES</i>	8
<i>HEAT SHIELD PLACEMENT</i>	9
<i>REMOTE RECEIVER/SWITCH BOX PLACEMENT</i>	9
<i>DECORATIVE HEAT SHIELD</i>	9
<i>LIGHTING TEST</i>	9
<i>DECORATIVE MEDIA REPLACEMENT</i>	9
INSTALLING/REPLACING BATTERIES (AS APPLICABLE).....	10
<i>REMOTE TRANSMITTER BATTERY</i>	10
<i>RECEIVER/BURNER SYSTEM BATTERIES</i>	10

USE, CARE, & SERVICE

LIGHTING INSTRUCTIONS.....	11
<i>FOR YOUR SAFETY, READ BEFORE LIGHTING</i>	11
<i>REMOTE LIGHTING (if equipped)</i>	11
<i>MANUAL LIGHTING</i>	13
<i>SHUTTING DOWN</i>	13
SYNCING THE REMOTE SYSTEM (IF APPLICABLE).....	15
GAS TYPE CONVERSION.....	15
<i>SYNCING THE REMOTE SYSTEM</i>	15
TROUBLESHOOTING.....	16
ELECTRONIC PILOT TROUBLESHOOTING.....	17
WARRANTY.....	18

IMPORTANT INFORMATION

CHECK TO BE SURE THAT THE PROPER FUEL GAS IS BEING USED WITH THIS PILOT KIT.

The installation, including provisions for combustion and ventilation air, must conform with local codes, or in the absence of local codes, with the National Fuel Gas Code (ANSI Z223.1/NFPA 54).

This component and its individual shutoff valve must be disconnected from the gas-supply piping system when testing at pressures that exceed 1/2 psig. This is accomplished by closing the gas-supply line valve.

This component must be isolated from the gas-supply piping system by closing its individual manual shutoff valve during any testing of the gas-supply system at test pressures up to and including 1/2 psig.

A fireplace screen must be in place when the gas burner system is in operation. Unless other provisions for combustion air are provided, the screen shall have an opening(s) for introduction of combustion air.

WHEN GLASS FIREPLACE ENCLOSURES (DOORS) ARE USED, OPERATE THE BURNER SYSTEM WITH THE GLASS DOORS FULLY OPEN; BOTH SIDES IF THE FIREPLACE IS A SEE-THROUGH TYPE.

This appliance may be installed in an aftermarket, permanently located, manufactured (mobile) home where not prohibited by local codes. Installation of appliances designed for manufactured homes or mobile homes must conform with *Manufactured Home Construction and Safety Standard, Title 24 CFR, Part 3280* in the U.S.; or with *CAN/CSA Z240 MH* in Canada; or with *ANSI/NCSBCS A225.1/NFPA 501A, Manufactured Home Installations Standard* when such as standard is not applicable.

Do not use this appliance if any part has been underwater. Immediately call a qualified service technician to inspect the appliance and to replace any part of the control system and any gas control that has been underwater.

TO PREVENT VALVE DAMAGE AND FAILURE:

IT IS CRITICAL THAT THE HEAT SHIELD BE PLACED CORRECTLY OVER THE VALVE PRIOR TO OPERATION.

KEEP LAVA GRANULES/COALS, SAND/VERMICULITE, EMBERS/GLASS AND ALL FOREIGN OBJECTS AWAY FROM THE PILOT ASSEMBLY, VALVE ASSEMBLY, AND HEAT SHIELD DURING MEDIA PLACEMENT AND AT ALL TIMES.

SPECIFICATIONS

The **EPK-2(M)** accommodates burners up to 30" (nat. gas only).
The **EPK-2(M)P** accommodates burners up to 60" (L.P. gas only).

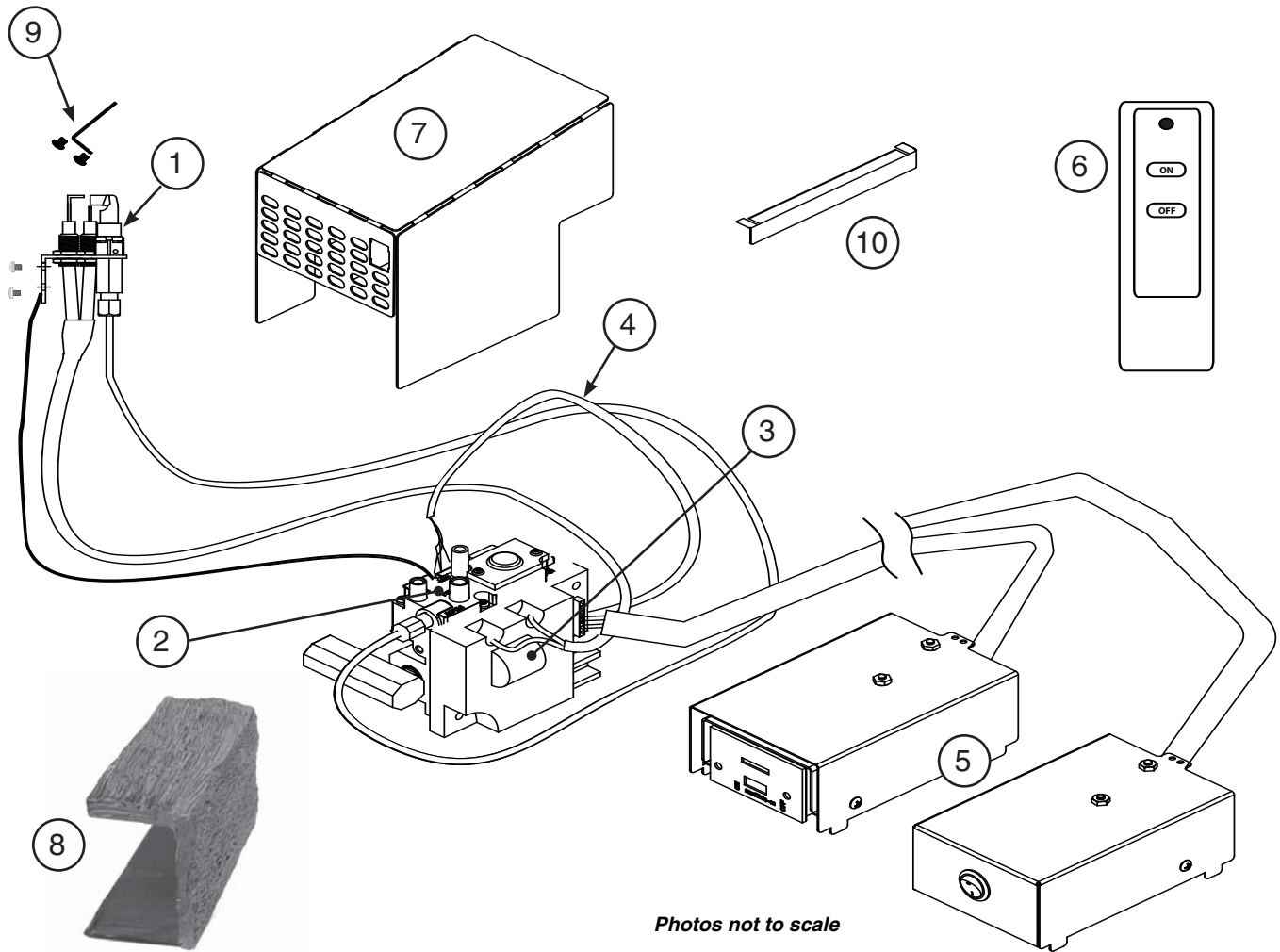
Refer to the burner owner's manual for minimum firebox dimensions.

Model	BTUs	
	Nat.	L.P.
EPK-2	120k	180k

Table 1 - Maximum BTUs

REPLACEMENT PARTS LIST

DO NOT REMOVE THE PILOT ASSEMBLY FROM THE VALVE OR SWITCH BOX.



Item	Description	Part No.	Qty.
1.	Pilot assembly (natural) or Pilot assembly (propane)	PAC-6 PAC-7	1 1
2.	Control valve	SV-52	1
3.	Control module	IMP-1	1
4.	Main harness assembly	WH-08	1
5.	Remote receiver box (includes remote receiver, battery box, metal heat shield assy, wire harness) or Switch box assembly * (includes battery box, switch, metal heat shield, wire harness)	AR-02-1 EPK-64	1 1
6.	Remote transmitter (only) †	AT-R1-1	1
7.	Valve heat shield	HS-38	1
8.	Decorative heat shield	HS-37	1
9.	Pilot bracket kit (and screws)	PB-51	1
10.	Flame diverter bracket	SH-1	1

* to add a remote system to an 2M model, use RR-1A

† if equipped

INSTALLATION

This safety pilot system must be installed by a qualified professional service technician. Instructions must be followed carefully when installing to ensure proper performance and full benefit from the burner system and safety pilot system.

These instructions must be used as a supplement to the instructions supplied with the R.H. Peterson burner system. Follow the burner system instructions and make adjustments as appropriate for the addition of a safety pilot system. Use gas pipe sealing compound that is resistant to all gasses (or Teflon tape) and apply to all male pipe connections. DO NOT apply pipe sealing compound to any flare connections. Make sure that all connections are tight.

The valve system is shipped pre-assembled for easy installation onto the burner pan. **Perform installation with care ensuring not to damage the pilot assembly, or the wires that connect the components and heat shield.**

Note: Installation is easier when done outside of the fireplace.

PREPARATION

If the burner that the valve system is to be added to is already installed; remove all decorative media, set aside to be reinstalled later, and disconnect the flex connector and adapter from the burner pan (using the instructions that came with the original burner).

CAUTION: Check to be sure this pilot kit is designed and labeled for the type of gas (natural or propane gas) supplied to the fireplace. See GASTYPE CONVERSION section if needed.

INSTALL PILOT MOUNTING BRACKET

CAUTION: Use only the pilot assembly pre-assembled with this kit. Never substitute with an existing pilot.

The pilot assembly comes with an L-shaped mounting bracket. Using the two black screws, fasten the bracket to burner pan (short side toward the back of the pan) using the pre-drilled holes in the pan (see Fig. 5-1).

INSTALL VALVE

1. Apply gas pipe sealing compound (or Teflon tape) to the male end of the fuel injector or air mixer on the burner.
2. Install the valve to the fuel injector or air mixer by screwing the pan into the valve (Fig. 5-2). Take care not to damage the attached pilot assembly when rotating the burner pan. Be sure all connections are tight, however do not overtighten to prevent damage to the valve.

Ensure the valve is properly installed as shown in Fig 5-3. The burner pan must rest flat on the fireplace floor.

INSTALL FLAME DIVERTER BRACKET

For installation on G4/G45 burners only. When properly installed onto the burner pan, the flame diverter bracket will promote quicker ignition and protect the safety control system from overheating.

Note: You must first install the flame diverter bracket before installing the pilot/igniter assembly.

1. Place the flame diverter bracket over the side edge of the burner pan, near the location the safety control system pilot bracket will be attached. It should be placed **approximately 2-1/4"** from the rear wall of the burner pan (see Fig. 5-4).
2. Tap the bracket lightly with a rubber mallet to secure it in place.

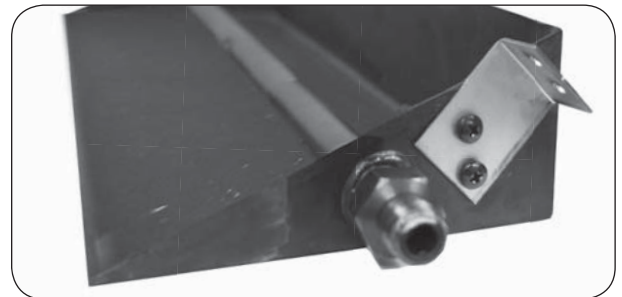


Fig. 5-1 Install pilot bracket

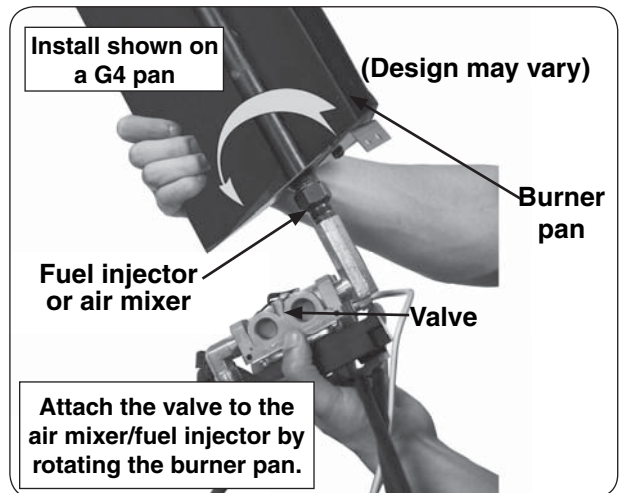


Fig. 5-2 Install valve

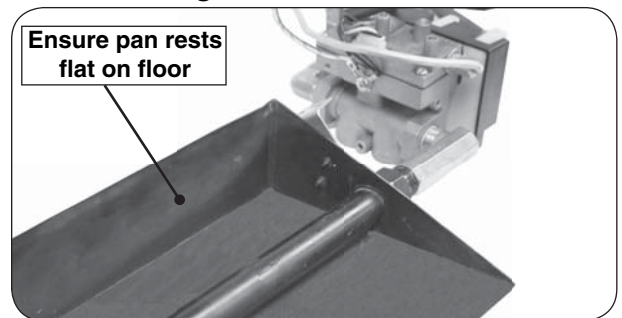


Fig. 5-3 Proper valve orientation

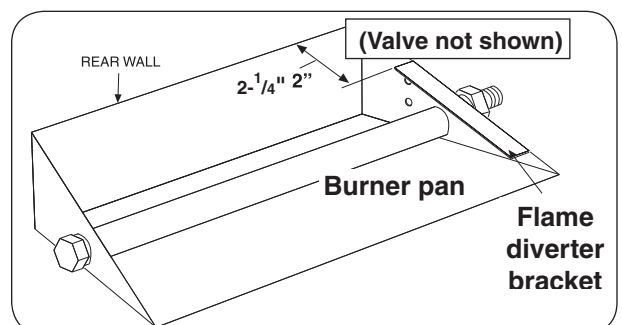


Fig. 5-4 Install diverter bracket (if applicable)

INSTALLATION (Cont.)

INSTALL PILOT ASSEMBLY TO BURNER

CAUTION: Do not kink or damage the pilot supply tube, sparking, and sensor probes. Do not unscrew the gas line from the valve.

Using the two (2) remaining screws, mount the pilot assembly and ground wire onto the bracket (See Fig. 6-1 and Fig. 6-2) and tighten until snug. **Check to be certain the pilot hood and probes are situated above the edge of the pan. Adjust if necessary.**

WARNING: Keep the pilot assembly clear at all times. Never cover any part of the pilot assembly.

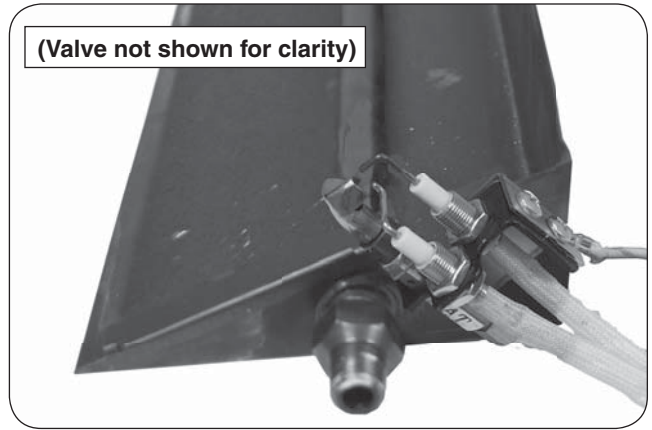


Fig. 6-1 Install pilot assembly

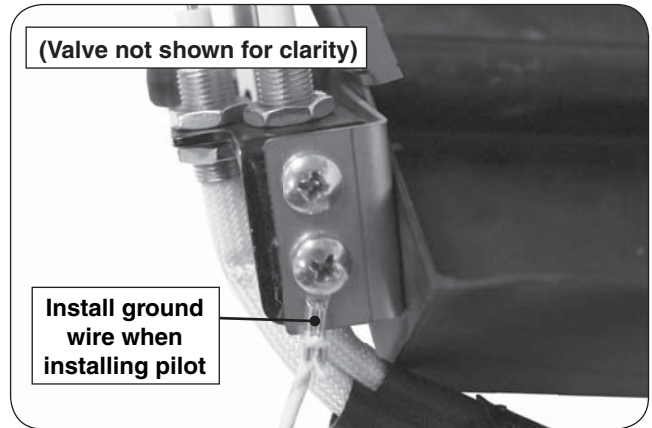


Fig. 6-2 Ground wire to bracket detail

CONNECT TO GAS SUPPLY

To connect the valve to the gas supply, the flex connector kit and component parts will be needed, which are included with the burner system. Refer to the PARTS LIST in the instructions supplied with the burner to identify the key parts needed.

1. MAKE SURE THE FIREPLACE GAS SUPPLY IS TURNED OFF.
2. Locate the gas-supply stub inside the fireplace and remove the cap, if attached.

CAUTION: When removing the cap, make sure the stub does not turn, loosening the connection inside the wall.

3. Discard the small adapter included with burner flex connector kit. Attach one end of the flex connector (included with burner) to the elbow found on the control valve. Tighten securely. See Fig. 7-1.
4. Place the burner system in the fireplace. Center the burner in the fireplace.
5. **Be sure gas to the fireplace is off.** Attach the large adapter (included with burner flex connector kit) to the gas-supply stub using a pipe compound resistant to all gasses. Tighten securely. Then attach the open end of the flex connector to the large adapter. Tighten securely.
6. **LEAK TEST:** Turn on the fireplace gas supply, and test at all connections for leaks using the appropriate soapy water solution. If bubbles appear, a leak is present. Turn off the gas and tighten at all connections. Repeat until no leaks are present. If a leak persists, turn off the gas supply and contact the local gas company or dealer. **NEVER USE A FLAME TO CHECK FOR LEAKS.**
7. Follow the instructions supplied with the Peterson burner system for any additional requirements regarding specific burner setup and placement.

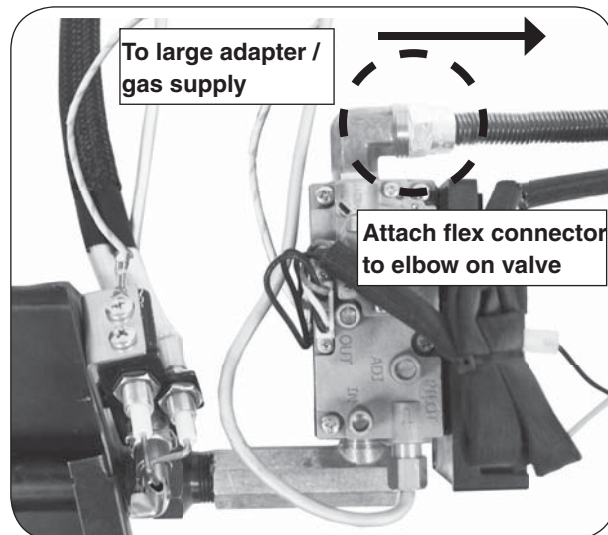


Fig. 7-1 Install flex connector to valve

INSTALLATION (Cont.)

CHECK THE WIRE CONNECTIONS

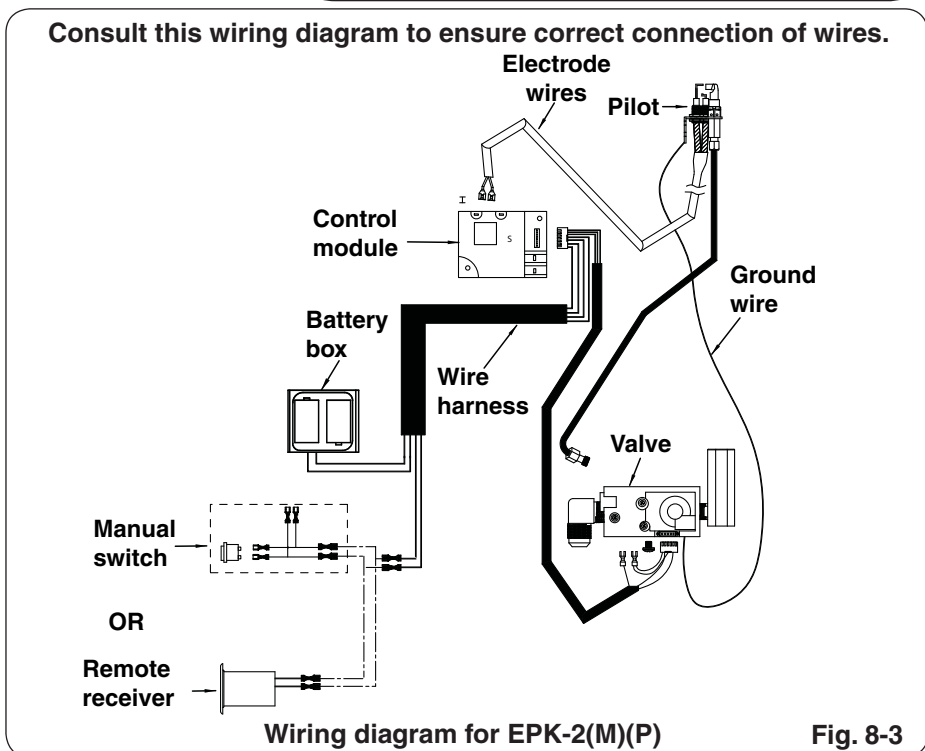
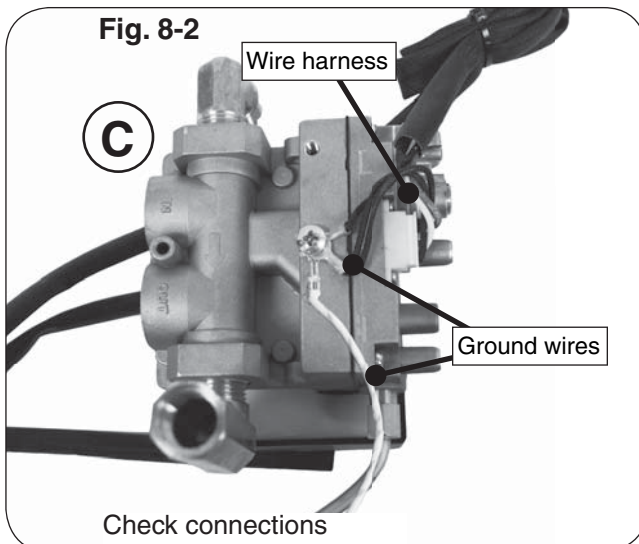
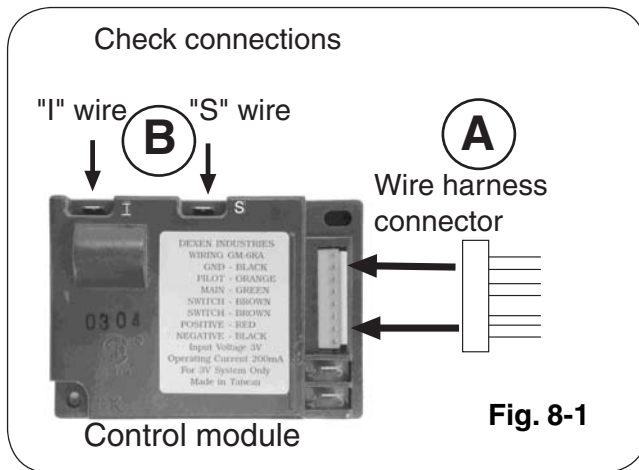
The valve system comes completely assembled with the wiring harness already connected to the receiver/switch box assembly. We recommend that you follow the steps below to ensure it has not become detached during shipping **before** installing the batteries.

1. Check that the wiring harness is fitted tightly into the connector on the green ignitor pack in the rear of the switch box (Fig. 8-1).
2. Check that the female connectors on the two black wires from the pilot assembly (wires marked "I" and "S") are inserted fully into the male connectors on the ignitor pack (Fig. 8-1).
3. Check the connection of the red and black wires of the wire harness to the respective counterpart wires from the battery holder (red-red and black-black). The two brown wires should be connected to the remote receiver switch.
4. Check the connections of the wires to the valve (see Fig. 8-2).

The diagram below (Fig. 8-3) shows the wiring layout for the complete unit.

INSTALL BATTERIES

1. At this stage the burner system and remote batteries are to be installed (as applicable). Reference the INSTALLING/REPLACING BATTERIES section for details.



HEAT SHIELD PLACEMENT

TO PREVENT VALVE DAMAGE AND FAILURE:

IT IS CRITICAL THAT THE HEAT SHIELD BE PLACED CORRECTLY OVER THE VALVE PRIOR TO OPERATION.

TO PREVENT OVERHEATING THE VALVE:

Cover the valve with the heat shield as shown in Fig. 9-1. It should rest flat above the valve.

Keep the area above and below the heat shield clear of decorative media or any other objects at all times.

Important: Ensure the wire bundles do not interfere with heat shield placement. Reference figure on next page for example placement.

Important: Keep lava granules/coals, sand/vermiculite, embers/glass, and all foreign objects away from the pilot assembly, valve assembly, and heat shield during media placement and at all times.

REMOTE RECEIVER/SWITCH BOX PLACEMENT

It is recommended the remote receiver/switch box be placed outside of the firebox and a minimum of 6" from the burner/flame. See Fig. 9-2, A.

Alternatively, the box can be placed inside of the firebox, but must be oriented as shown in Fig. 9-2, B. Set the box on its side and place the bottom of the box toward the right firebox wall (box must be a minimum of 6" from the burner/flame). DO NOT place at the rear of the firebox.

Ensure that the box wires remain away from of the burner, valve, heat shield, and flame at all times. Coil excess wire within the box.

CAUTION: THE REMOTE RECEIVER/SWITCH BOX WILL BE HOT DURING AND AFTER OPERATION.

Installation is complete at this point. Ensure ALL information in this manual is followed to ensure proper operation.

DECORATIVE HEAT SHIELD

Place the decorative heat shield over the remote receiver / switch box (see Fig.9-3).

LIGHTING TEST

Prior to proceeding with installation, perform a lighting test (see lighting instructions for lighting your burner). **Allow the unit to completely cool after testing.**

DECORATIVE MEDIA REPLACEMENT

Refer to the burner instructions for proper placement of decorative media.

Important: Keep lava granules/coals, sand/vermiculite, embers/glass, and all foreign objects away from the pilot assembly, valve assembly, and heat shield during media placement and at all times.

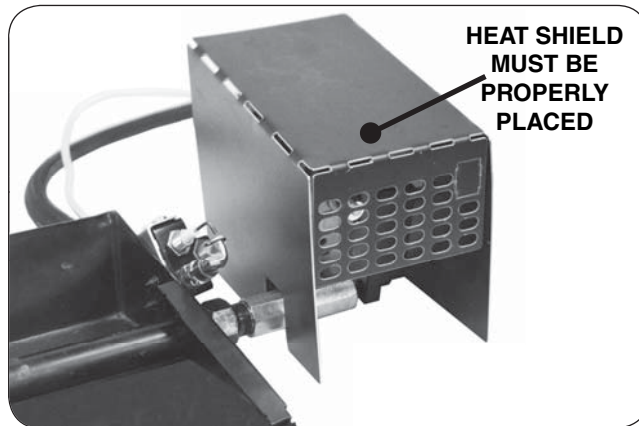


Fig. 9-1 Place heat shield

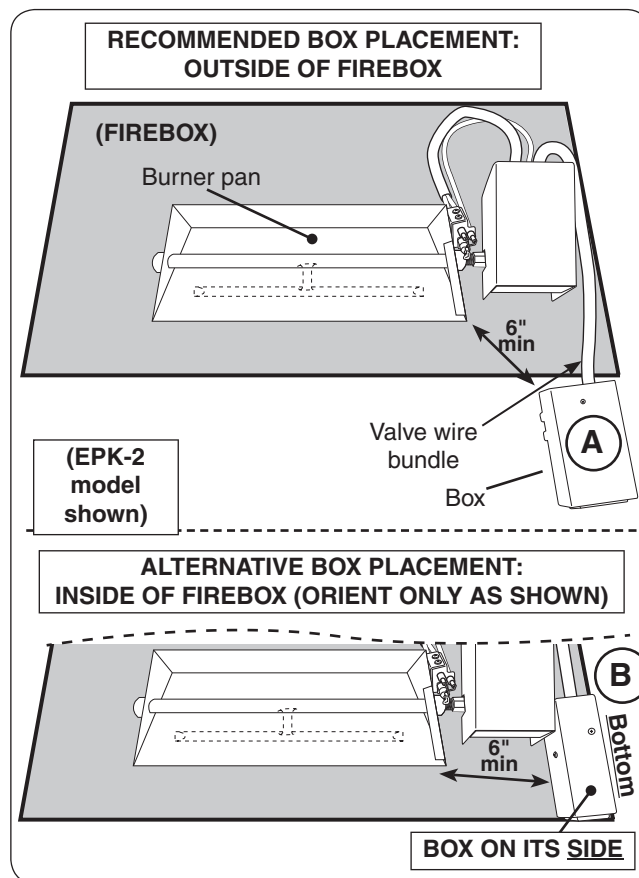


Fig. 9-2 Box placement



Fig. 9-3 Place heat shield

INSTALLING/REPLACING BATTERIES (AS APPLICABLE)

CAUTION: Ensure the unit is connected to the gas line and has been tested for leaks before you insert batteries.

CAUTION: Turn off the remote and/or burner and allow the unit to completely cool prior to any battery replacements.

Important: Prior to inserting batteries, always apply a small amount of dielectric grease to both ends of each battery. This will ensure conductivity and prevent moisture from affecting the contact.

Important: **Low/dead batteries will affect burner system operation. Replace batteries any time the burner will not turn on.**

REMOTE TRANSMITTER BATTERY

The remote transmitter requires one 12V battery to operate (included). Locate the transmitter, remove the lid (found on rear), and properly insert the new battery as marked. Re-secure the lid. See Fig. 10-1.

RECEIVER/BURNER SYSTEM BATTERIES

Important: Be sure to replace the decorative heat shield over the receiver or switch box assembly after battery replacement.

Remote receiver

The remote receiver requires 4 AA batteries to operate (included). Locate the remote receiver box and turn it over. Use a Phillips screwdriver to remove the screw found on the side of the box, then remove the bracket. Remove the receiver from the box and turn it over. Slide open the lid, and properly insert the new batteries as marked. See Fig. 10-2 (also reference Fig. 10-3).

Replace the lid and replace the remote receiver onto the Velcro in the remote receiver box. Then replace the bracket using the screw and re-position the box in the fireplace.

Burner system

The burner system requires 2 D batteries to operate (included). Locate the remote receiver / switch box and turn it over. Use a Phillips screwdriver to remove the screw found on the side of the box, then remove the bracket. Properly insert the new batteries as marked. See Fig. 10-3.

Replace the bracket using the screw and re-position the remote receiver / switch box in the fireplace.



Fig. 10-1 Transmitter battery

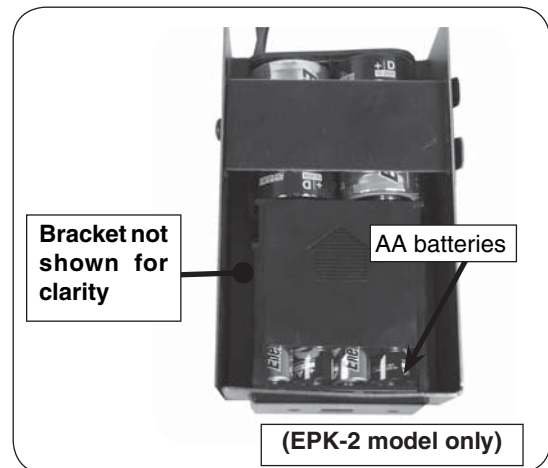


Fig. 10-2 Remote receiver batteries

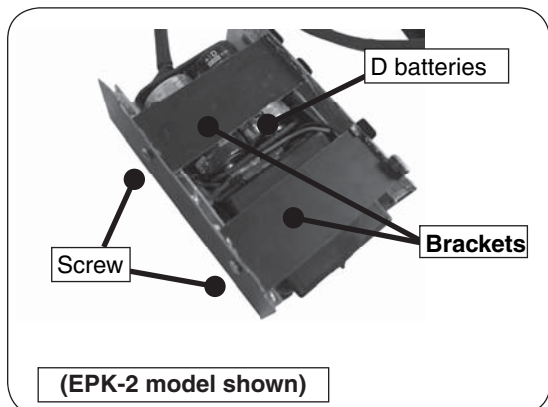


Fig. 10-3 Burner system batteries

LIGHTING INSTRUCTIONS

FOR YOUR SAFETY, READ BEFORE LIGHTING

WARNING: If you do not follow these instructions exactly, a fire or explosion may result causing property damage, personal injury or loss of life.

- A.** This appliance is equipped with an ignition device that automatically lights the pilot. DO NOT attempt to light the pilot by hand.
- B. BEFORE OPERATING,** smell all around the appliance area for gas. Be sure to smell next to the floor because some gas is heavier than air and will settle on the floor.

WHAT TO DO IF YOU SMELL GAS

- Do not light any appliance.
 - Do not touch any electric switch; do not use any phone in your building.
 - Immediately call your gas supplier from a neighbor's phone. Follow the gas supplier's instructions. If you cannot reach your gas supplier, call the fire department.
- C.** Use only the control system (or remote if equipped) to light the pilot. This valve will not operate if the pilot is not lit and stable.
- D.** Do not use this appliance if any part has been under water. Immediately call a qualified service technician to inspect the appliance and to replace any part of the control system and any gas control which has been under water. Attempted operation may result in fire or explosion resulting in property damage, personal injury or loss of life.

REMOTE LIGHTING (if equipped)

CAUTION: DO NOT attempt to light the pilot by hand.

Note: If the remote does not function, and batteries with an adequate power level are installed, refer to the SYNCING THE REMOTE section.

Note: Step 1 may not be required if previously done during an earlier lighting.

1. Locate the 3-position switch on the remote receiver (see Fig. 11-1), and slide the switch to the **REMOTE** position.

Note: For Switch Box Models, ensure that the ON/OFF switch at the front of the switch box is in the **OFF (O)** position.

2. Locate the remote transmitter and press the **ON** button (see Fig. 11-2). The ignition sequence will begin.

The remote receiver will emit an audible "beep"; then the igniter will begin to spark. After the pilot lights and is established, the valve will automatically open and the burner will light.

Note: The ignition sequence will take approximately 5 seconds.

WARNING: If the pilot fails to light within 5 seconds, or if the burner fails to light within 5 seconds of pilot lighting, press the OFF button on the remote transmitter and/or slide the switch to the OFF position. Allow five (5) minutes for any gas in the unit to dissipate, then repeat steps 1 and 2 above. **IF YOU SMELL GAS, SEE STEP B ABOVE.**

If the pilot fails to light after several tries, turn all control/remote system components to **OFF** and contact a qualified professional service technician.

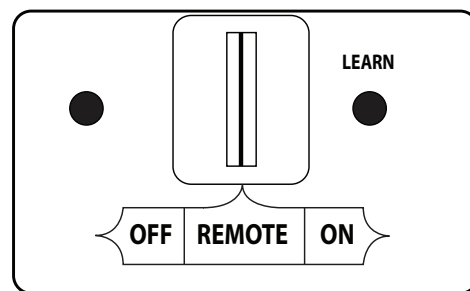


Fig. 11-1 Remote receiver detail (REMOTE)

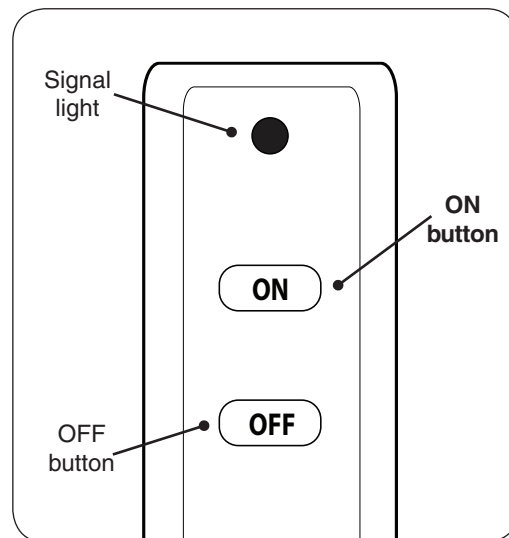


Fig. 11-2 Remote transmitter detail

INSTRUCTIONS D'ALLUMAGE SÉRIE

POUR VOTRE SÉCURITÉ LISEZ AVANT D'ALLUMER

AVERTISSEMENT: Si vous ne suivez pas ces instructions à la lettre, un incendie ou une explosion entraînant des dommages matériels, des blessures ou des pertes de vie.

A. Cet appareil est équipé d'un dispositif d'allumage qui allume automatiquement la veilleuse. NE PAS essayer d'allumer la veilleuse manuellement.

B. AVANT D'UTILISER, Sentez tout autour de l'appareil pour le gaz. Assurez-vous de sentir près du plancher, car certains gaz sont plus lourds que l'air et se déposent sur le sol.

QUE FAIRE SI UNE ODEUR DE GAZ

- Ne pas allumer l'appareil.
- Ne touchez à aucun interrupteur électrique; n'utilisez aucun téléphone dans votre bâtiment.
- Appelez immédiatement votre fournisseur de gaz à partir du téléphone d'un voisin. Suivez les instructions du fournisseur de gaz. Si vous ne pouvez joindre votre fournisseur de gaz, appeler les pompiers.

C. Utilisez uniquement le système de commande (ou à distance le cas échéant) pour allumer la veilleuse. Cette valve ne fonctionne pas si le pilote n'est pas éclairé et stable.

D. Ne pas utiliser cet appareil si une partie quelconque a été submergée. Appelez immédiatement un technicien de service qualifié pour inspecter l'appareil et pour remplacer toute pièce du système de contrôle et toute commande de gaz qui a été sous l'eau. Tentative d'opération peut entraîner un incendie ou une explosion entraînant des dommages matériels, des blessures ou des pertes de vie.

DISTANCE DE L'ÉCLAIRAGE (si équipée)

CAUTION: NE PAS essayer d'allumer la veilleuse à la main.

Note: Si la télécommande ne fonctionne pas, et des batteries avec un niveau de puissance adéquate sont installés, se référer à la section synchronisation des REMOTE (éloigné).

Note: Étape 1 ne peut être nécessaire si il a déjà fait lors d'un éclairage plus tôt.

1. Repérez l'interrupteur à 3 positions sur le récepteur de télécommande (voir Fig. 12-1), Et faites glisser le commutateur sur la position **REMOTE** (éloigné).

Note: Pour Boîte de commutateur modèles, veiller à ce que l'interrupteur ON/OFF (sur/éteindre) à l'avant de la boîte de commutation est en position **OFF (O)** (éteindre).

2. Localiser la télécommande et appuyez sur la touche **ON** (sur). Voir Fig. 12-2. La séquence d'allumage commence.

Le récepteur de télécommande émet un "bip" sonore; puis l'allumeur commence à susciter. Après les feux de pilotes et est établie, la vanne se ouvre automatiquement et le brûleur se allume.

Note: La séquence d'allumage prendra environ 5 secondes.

WARNING: Si la veilleuse ne s'allume pas dans les 5 secondes ou si le brûleur ne s'allume pas dans les 5 secondes suivant l'allumage de la veilleuse, appuyez sur le bouton **OFF** de la télécommande et / ou faites glisser le commutateur en position **OFF**. Autoriser cinq (5) minutes pour tout gaz dans l'unité à se dissiper, puis répétez les étapes 1 et 2 ci-dessus. **SI VOUS UNE ODEUR DE GAZ, voir l'étape B ci-dessus.**

Si le pilote ne se allume pas après plusieurs essais, tournez tous les composants système de contrôle / télécommande à **OFF** (éteindre) et contacter un technicien de service professionnel qualifié.

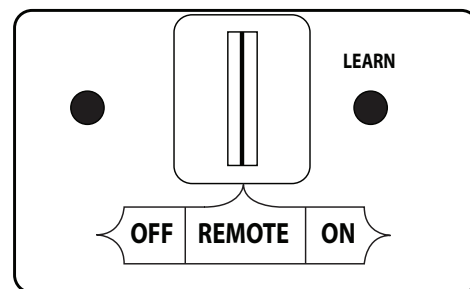


Fig. 12-1 Détail récepteur de télécommande (REMOTE)

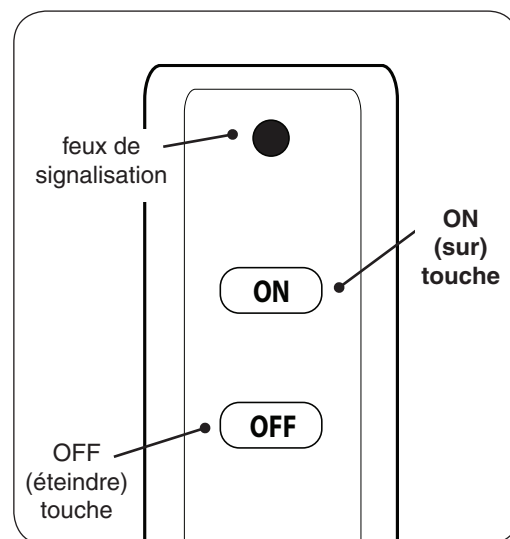


Fig. 12-2 Détail télécommande

MANUAL LIGHTING

CAUTION: DO NOT attempt to light the pilot by hand.

1. **Switch Box Models:** Locate the ON/OFF switch at the front of the switch box. Press the switch to the **ON (I)** position. See Fig. 13-1.

Remote Box Models: Locate the 3-position switch on the remote receiver (see Fig. 13-1), and slide the switch to the **ON** position.

The igniter will begin to spark. After the pilot lights and is established, the valve will automatically open and the burner will light.

Note: The ignition sequence will take approximately 5 seconds.

WARNING: If the pilot fails to light within 5 seconds, or the burner fails to light within 5 seconds of pilot lighting, slide the switch to the **OFF** position. Allow five (5) minutes for any gas in the unit to dissipate, then repeat step above. **IF YOU SMELL GAS, SEE STEP B AT BEGINNING OF LIGHTING INSTRUCTIONS.**

If the pilot fails to light after several tries, turn the system **OFF** and contact a qualified professional service technician.

Note: In manual mode, the remote transmitter will not operate the burner system.

SHUTTING DOWN

Switch Box Models

For remote shut down, press the **OFF** button on the remote transmitter.

For manual shutdown, press the ON/OFF switch at the front of the switch box to the **OFF (O)** position.

Important: Both the switch box ON/OFF switch and the remote control (if equipped) must be in the **OFF** position to shut the burner off. If one control is commanded off while the other is still on, the burner will remain on.

Remote Box Models

For remote shut down, press the **OFF** button on the remote transmitter.

If remote is unavailable, slide the switch on the remote receiver to the **OFF** position.

PILOT APPEARANCE

Periodically check the pilot for proper flame pattern. The pilot flame should encircle the generator tip, and is preset at the factory (see Fig. 13-2).

If the pilot flame burns incorrectly; shut down completely and contact a qualified professional service technician.

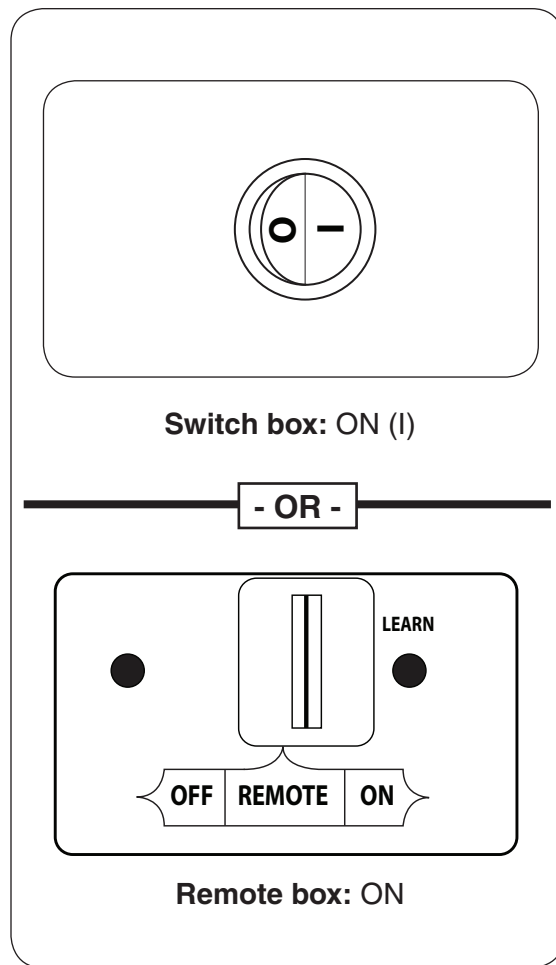


Fig. 13-1 Manual lighting

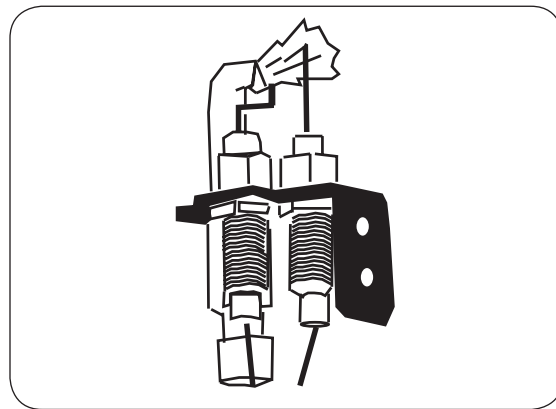


Fig. 13-2 Proper pilot flame

ÉCLAIRAGE MANUEL

CAUTION: NE PAS essayer d'allumer la veilleuse à la main.

1. **Boîte De Commutateur Modèles:** Repérez l'interrupteur ON/OFF (sur/éteindre) à l'avant de la boîte de commutation. Appuyez sur l'interrupteur sur la position **ON (I)** (sur). Voir Fig. 14-1.

Boîte À Distance Modèles: Situez l'interrupteur à 3 positions sur le récepteur à distance (voir la Fig.14-1.), Et faites glisser le commutateur à la position **ON** (sur).

L'allumeur commencera à s'allumer. Une fois que la veilleuse s'est allumée et est établie, la vanne s'ouvre automatiquement et le brûleur s'allume.

Note: La séquence d'allumage prendra environ 5 secondes.

WARNING: Si la veilleuse ne s'allume pas dans les 5 secondes ou si le brûleur ne s'allume pas dans les 5 secondes suivant l'allumage de la veilleuse, faites glisser le commutateur en position **OFF**. Autoriser cinq (5) minutes pour tout gaz dans l'unité à se dissiper, puis répétez l'étape ci-dessus. **SI VOUS UNE ODEUR DE GAZ, voir l'étape B AU DÉBUT DE INSTRUCTIONS D'ALLUMAGE.**

Si le pilote ne se allume pas après plusieurs essais, tournez le système **OFF** (éteindre) et contacter un technicien de service professionnel qualifié.

Note: En mode manuel, la télécommande ne fonctionnera pas le système du brûleur.

ARRÊT

Boîte De Commutateur Modèles

Pour arrêt à distance, appuyez sur le bouton **OFF** (éteindre) de la télécommande.

Pour un arrêt manuel, appuyez sur l'interrupteur ON/OFF (sur/éteindre) à l'avant de la boîte de commutation à la position **OFF (O)** (éteindre).

Tant la boîte de commutateur ON / OFF de l'interrupteur et la commande à distance (le cas échéant) doivent être en position OFF pour éteindre le brûleur. Si un contrôle est commandé hors tandis que l'autre est toujours allumé, le brûleur reste allumé.

Boîte À Distance Modèles

Pour arrêt à distance, appuyez sur le bouton **OFF** (éteindre) de la télécommande.

Si la télécommande ne est pas disponible, faites glisser le commutateur sur le récepteur de la télécommande à la position **OFF** (éteindre).

PILOT APPARENCE

Contrôler régulièrement le pilote pour motif de flamme correcte. La flamme de la veilleuse doit encercler la pointe du générateur, et est pré réglé en usine (voir Fig. 14-2).

Si la flamme de la veilleuse brûle mal; se arrêter complètement et contacter un technicien de service professionnel qualifié.

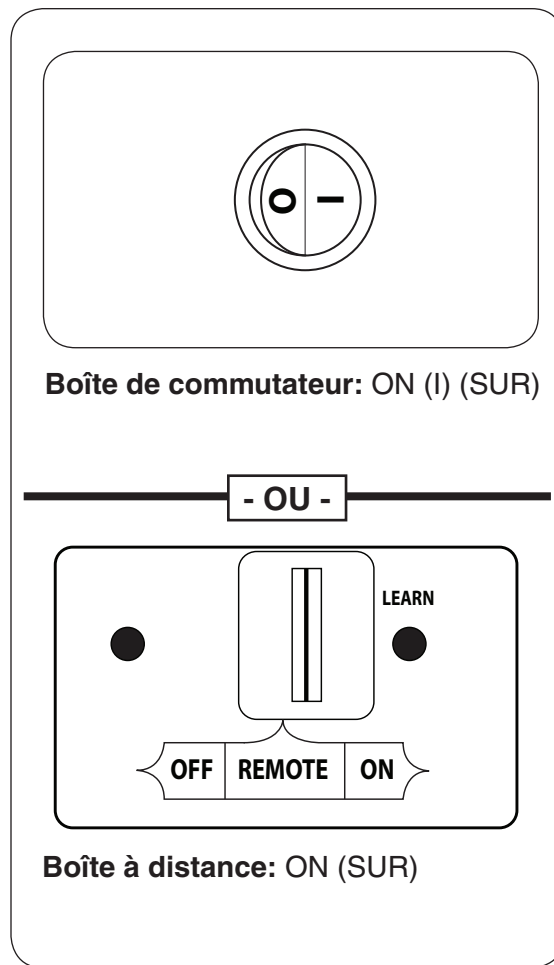


Fig. 14-1 Allumage manuel

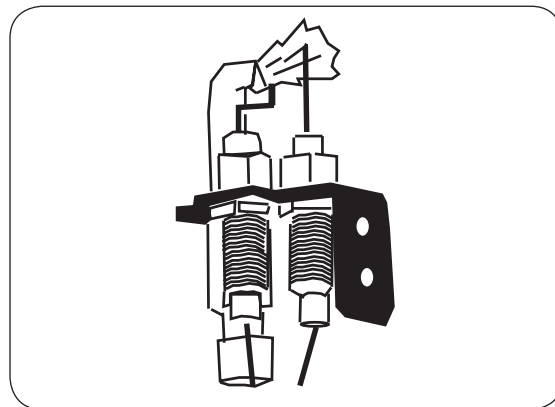


Fig. 14-2 Bonne flamme pilote

SYNCING THE REMOTE SYSTEM (IF APPLICABLE)

SYNCING THE REMOTE SYSTEM

Ensure the burner system is off and completely cool.

Locate the 3-position switch on the remote receiver and slide it to the **REMOTE** position. Use the tip of a pen or a wire clip to push the **LEARN** button and release. See Fig. 15-1. A beep will be heard. Then press and hold the **ON** button on the remote transmitter; a series of beeps should be heard. The remote system is now synced. Refer to the LIGHTING INSTRUCTIONS to test.

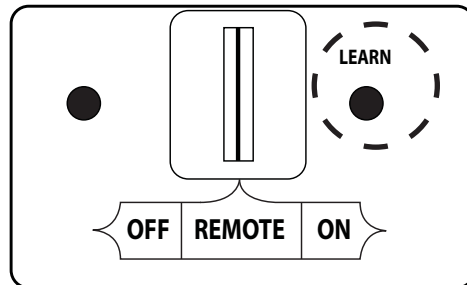


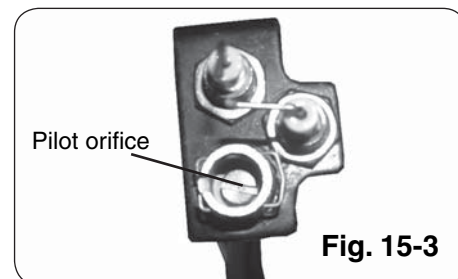
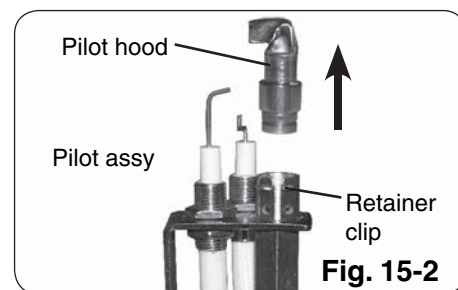
Fig. 15-1 Remote receiver sync detail

GAS TYPE CONVERSION

To convert this appliance from natural to propane gas or propane to natural gas, carefully follow the steps below:

1. **Ensure the unit is OFF and completely cool, the gas supply to the unit is turned off, and the power supply is disconnected.**
2. Remove the pilot hood from the pilot assembly as shown in Fig. 15-2.
Note: The pilot hood is secured in place with a retainer pin. Slightly flex open (or completely remove) the pin so that the pilot hood can be easily removed.
3. Using a flat head screwdriver, unscrew the orifice from the pilot assembly (see Fig. 15-3). Locate the replacement orifice and fasten it into the pilot assembly.
4. Replace the pilot hood onto the pilot assembly. Ensure the retainer clip is secured in place.

CAUTION: During any conversions, all components must be set/converted for the appropriate gas type (i.e. burner orifice, regulator, etc.). Contact your dealer and a qualified professional service technician.



TROUBLESHOOTING

PROBLEM	CAUSE	SOLUTION
1. Pilot will not light	<ul style="list-style-type: none"> a. Obstruction in pilot gas supply or pilot gas-supply line is kinked b. Inadequate gas supply c. Air in line 	<ul style="list-style-type: none"> a. Clear out obstruction. Replace pilot gas-supply line if kinked b. Have gas pressure checked by installer or gas supplier c. Air should clear; attempt to relight
2. No spark at pilot	<ul style="list-style-type: none"> a. Loose wires b. Dead batteries c. Faulty switch or remote (if equipped) 	<ul style="list-style-type: none"> a. Check all wires are securely in place b. Replace batteries c. Replace the switch box unit or remote system as appropriate
3. Pilot lights, but main burner will not	<ul style="list-style-type: none"> a. Wire leads are not connected to proper valve terminals or toggle switch terminals not tight b. Batteries too low for voltage output c. Defective valve 	<ul style="list-style-type: none"> a. Make sure all wire leads are tight and attached to proper terminals (see wiring diagram section) b. Replace with new ones c. Replace valve
4. Burner system not burning properly	<ul style="list-style-type: none"> a. Low flame/uneven flame 	<ul style="list-style-type: none"> a. Check for low gas pressure; should have operating pressures of 7" w.c. for natural gas, 11" w.c. for propane at manifold b. Burner should be filled completely with sand or vermiculite
5. Burner system shuts down during operation	<ul style="list-style-type: none"> a. Glass doors closed, causing excessive heat buildup b. Pilot electrode not properly set to pilot location c. Heat shield not in place 	<ul style="list-style-type: none"> a. Open glass doors b. See INSTALL PILOT ASSEMBLY TO BURNER section c. Place heat shield over valve. Be sure the solid black face of the shield is between the valve and the burner
6. Intermittent ignitor spark during use (main burner has been burning for well over a minute).	<ul style="list-style-type: none"> a. Embers or sand covering pilot assembly 	<ul style="list-style-type: none"> a. Clear all foreign material from around the pilot assembly

Periodically inspect the pilot assembly and valve controls and maintain them free of obstruction or debris. If the pilot flame is not blue with possibly yellow tips and does not impinge on the electrodes or if the pilot does not stay lit, contact a qualified professional service technician to service the pilot system.

Detail A

Electrode (A)

When adjusting the spark electrode (if necessary); NEVER adjust the electrode by bending the wire. ALWAYS adjust the electrode by loosening the retainer nut(s), then adjust accordingly.

The minimum gap between the spark electrode/heat sensor and the pilot flame hood is $\frac{1}{8}$ ". The maximum is $\frac{5}{32}$ ".

If the electrode ceramic is loose in the threaded barrel; the pilot assembly must be replaced.

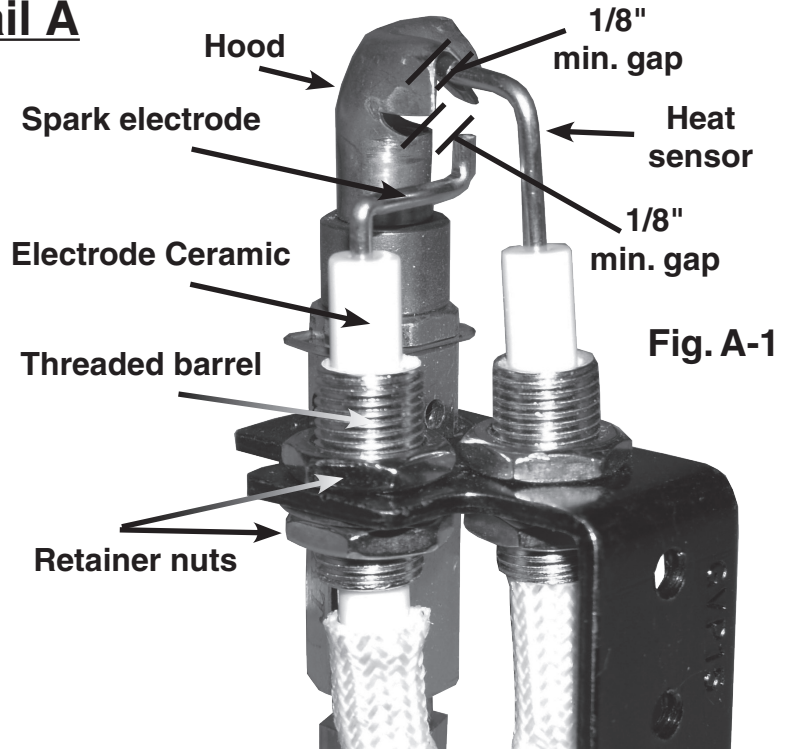


Fig. A-1

Detail B

Terminal Connections (B)

All of the connections on the control module must be properly attached. If the spade terminals are loose; inspect to ensure they correctly appear as detailed below. Use needle nose pliers to clamp down on the center/sides of the terminals if needed (to provide a tight fit.) See Fig B-3 below.

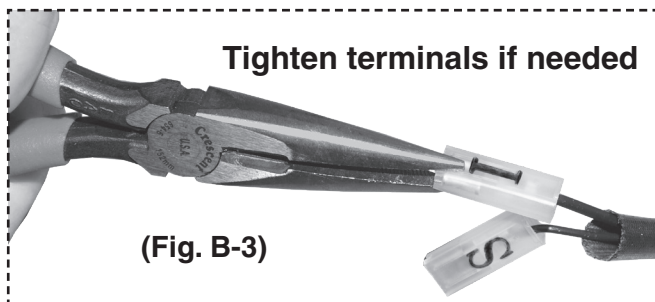
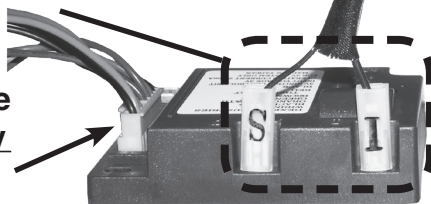
Spade Terminal Detail



Ensure that spade terminals (S and I) are attached securely

Ensure that multi-wire connector is properly engaged

Control Module (DESIGN MAY VARY) (Fig. B-2)



Detail C

(Fig. C-1)

DO NOT bundle tightly together as shown

Assembly Wires (C)

DO NOT bundle the excess pilot assembly wires tightly together as this can reduce the intensity of the spark.

WARRANTY

PETERSON INDOOR VENTED DECORATIVE GAS APPLIANCE LIMITED WARRANTY

Robert H. Peterson Co. ("RHP") warrants your Real Fyre® vented decorative gas appliance to be free from defects in material and workmanship. This warranty is for indoor use only.

Peterson vented ceramic refractory gas logs are warranted for **as long as you own them (lifetime)**.

Peterson vented burner assemblies excluding valves, pilots, and controls are **WARRANTED for TEN (10) YEARS**.

Peterson glass, gems, nuggets, and fiber-ceramic blend gas logs are warranted for **FIVE (5) YEARS**.

SPK-26 controls are warranted for **THREE (3) YEARS**.

APK-17 controls (including -17 valve) are warranted for **TWO (2) YEARS**.

All other Peterson valves, pilots, and controls are warranted for **ONE (1) YEAR (excluding batteries)**.

A COPY OF YOUR SALES SLIP FOR PROOF OF PURCHASE IS REQUIRED

This warranty applies to the original purchaser for products which are installed in the United States or Canada and which are operated and maintained as intended for single family residential usage (If the grill is installed in a multi-user setting, a separate Multi-User Limited Warranty applies and is available from R.H. Peterson Co.). This warranty is valid only with proof of purchase, shall commence on the date of purchase, and shall terminate (both as to original and any replacement products) on the anniversary date of the original purchase of the product stated on the above schedules.

This warranty covers defects in material and workmanship. This warranty **does not** cover parts which become defective as a result of negligence, misuse, use not in compliance with the Owner's Manual/Installation Instructions, accidental damage, improper handling, improper storage, improper installation, **lack of required routine maintenance** (as specified in the Owner's Manual/Installation Instructions), electrical damage, local gas impurities or failure to protect against combustibles. Product must be installed (and gas must be connected) as specified in the Owner's Manual/Installation Instructions by a **qualified professional installer**. Modifications to products which are not specifically authorized will void this warranty. Accessories, parts, valves, remotes, etc. when used must be Peterson products or this warranty is void. Warrantied items will be repaired or replaced at Peterson's sole discretion. This warranty **does not** apply to rust, corrosion, oxidation, or discoloration unless the affected part becomes inoperable.

This warranty **does not** cover labor or labor related charges, except as provided by separate specific written programs from the Peterson Co. All repair work must be performed by a qualified professional service person and requires prior approval of Peterson.

Peterson may require the defective product or part to be returned to the factory to determine the cause of failure. Peterson will pay freight charges if the product or part is determined to be defective. This warranty does not cover breakage in shipment from our (Independent) distributor to its customer if the damage is determined to have occurred during that shipment.

This warranty specifically excludes liability for **indirect, incidental, or consequential** damages. Some states and provinces do not allow the exclusion or limitation of incidental or consequential damages, so the above exclusion may not apply to you. This warranty gives you specified legal rights, and you may have other rights that vary from state to state or province.

For additional information regarding this warranty, or to place a warranty claim, contact the R. H. Peterson dealer where the product was purchased.

When contacting your Peterson dealer or the R. H. Peterson Co., please provide the following information:

- Your name, address, telephone number, e-mail
- Sales receipt showing where purchased and date purchased
- Model number, serial number of product, date code
- Relevant information: installer, additions, repairs, when defect was first noted

**TO REGISTER YOUR PRODUCT ONLINE GO TO: WWW.RHPETERSON.COM,
AND CLICK ON PRODUCT REGISTRATION. THANK YOU FOR YOUR PURCHASE.**

Quality Check		Date: _____	
Leak Test: _____	Burn Test: _____	Gas Type: _____	Nat. / L.P.
Inspector: _____			