



Drop-in Refreshment Center

Model # 33596

INSTALLER: Leave these instructions with consumer.
CONSUMER: Retain for future reference.



Item	Description	Part No.	Qty.
1.	Insulated lid	33596-05	1
2.	Drain kit	3596-11	1

Table 1 Replacement parts list

Counter Cut-out Dimensions	
A Countertop to unit bottom clearance*	12 3/4"
B Side to side cut-out	25"
C Front to back cut-out	23 3/8"

* Drain assembly clearance must also be provided.

Table 2 Cut-out dimensions

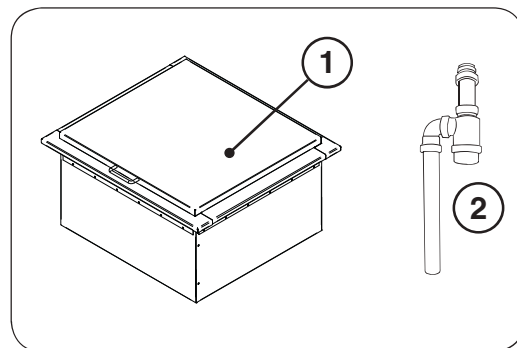


Fig. 1-1 Replacement parts list

TOP VIEW

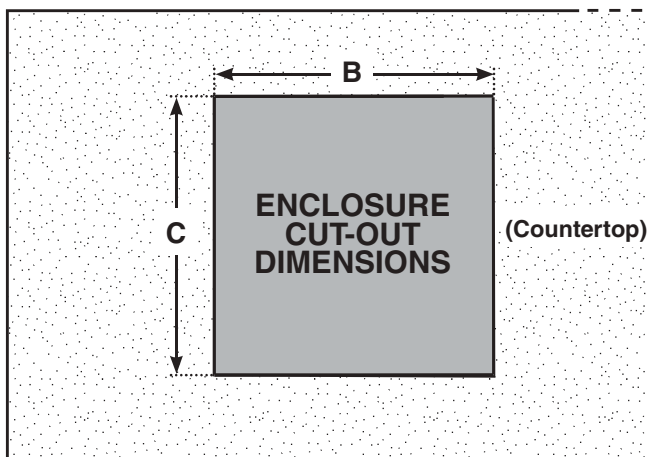


Fig. 1-2

SIDE VIEW

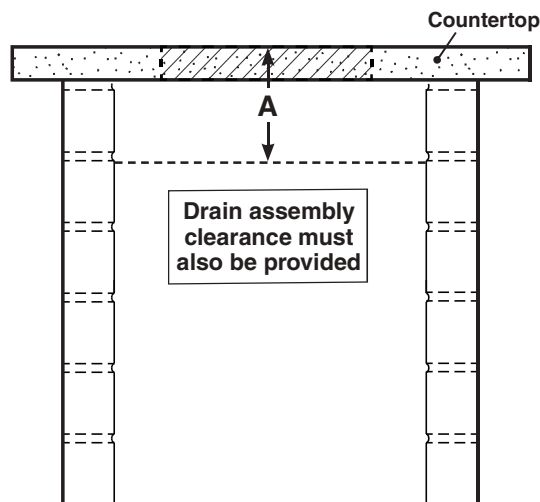


Fig. 1-3

See opposite side for installation

INSTALLATION

To install your Fire Magic Refreshment Center, follow the steps below:

1. Create a cut-out in the countertop as specified in Table 2 (reference figures on previous page).

Important: Clearance below the unit must be provided for the drain assembly.

2. Drop the unit into the cut-out opening.

Note: If installing a countertop with an irregular/textured surface, a bead of silicone sealer may be needed.

Important: Use care when handling the unit, so as to not damage the pre-installed drain spout assembly. **DO NOT** place the unit on a flat surface prior to installation.

3. Assemble and attach the supplied drain kit to the unit as shown in Fig. 2-1. Plumb to a drain or as appropriate for your installation. Observe all local codes.

REMOVABLE LID (OPTIONAL)

1. Remove screws from the soft down hinges on the inner left and right side (see Fig. 2-2, A).
2. Firmly press the soft down hinges to the left until they clear the bracket pins (see Fig. 2-2, B).
3. Slide the lid to the left to remove it from the unit (see Fig. 2-3).

To reattach the lid reverse the previous steps.

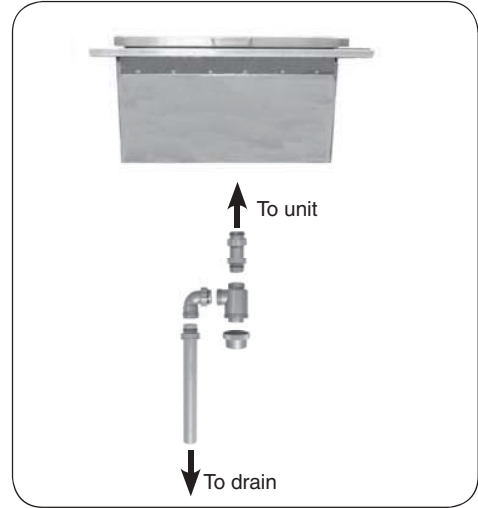


Fig. 2-1 Plumbing installation

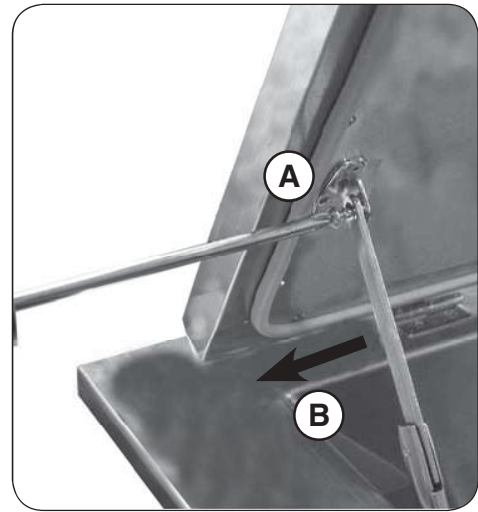


Fig. 2-2 Remove hinges

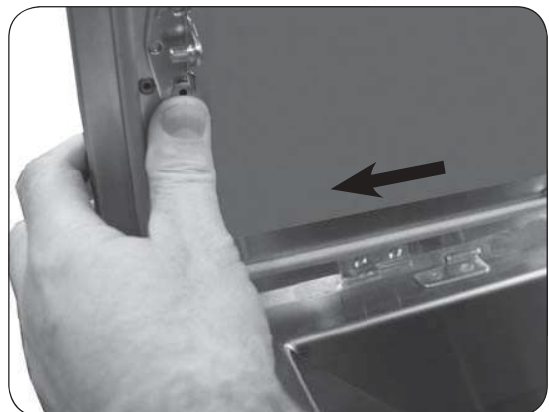


Fig. 2-3 Remove lid