

FIREMAGIC®

DELUXE CLASSIC DROP-IN (31 SERIES) INSULATING LINER MODEL # 3200-50

This liner kit contains 6 panels of insulating material which are 2" thick including the spacers.

Bottom	2pcs 11 ¹³ / ₁₆ " x 28 ¹ / ₄ "
Front & Back	2pcs 11 ¹³ / ₁₆ " x 26 ¹ / ₄ "
Sides	2pcs 11 ¹³ / ₁₆ " x 19 ¹ / ₄ "

The cabinet (or rough opening) specified is 23 ⁵/₈" x 28 ¹/₂" wide x 14" deep.

Note: This insulating liner will require support for the bottom insulating panels 14" below the countertop surface.

When properly installed, each panel will be installed with the solid flat side of the insulation facing inward towards the unit on all four sides and the bottom of the grill. The bottom pieces will be a snug fit from front to back and must be tight together down the center. The front and back panels should be centered from side to side and the side panels fit in between them. Ceramic tile or other non-combustible countertop material may be extended to cover the top edge of the insulating panels, leaving a counter top opening of 19 ¹/₄" x 24 ¹/₄".

The insulating panels may be glued or nailed in position. It is recommended that all cracks be sealed with high temperature silicone sealer. A ⁷/₈" hole should be drilled in the bottom panel near the front to allow entry of a ¹/₂" pipe gas line as shown in the grill installation instructions.

The top trim panel, which is available for counter tops not resistant to heat, will hold the insulating panels in position and cover the upper edges of the insulation. It should not touch wood or combustible material, but may be as close as ¹/₁₆" gap which can be closed with silicone sealer. This panel provides a firm surface for the grill cork mounting supports to rest on. The trim panel may be painted a color of your choice.

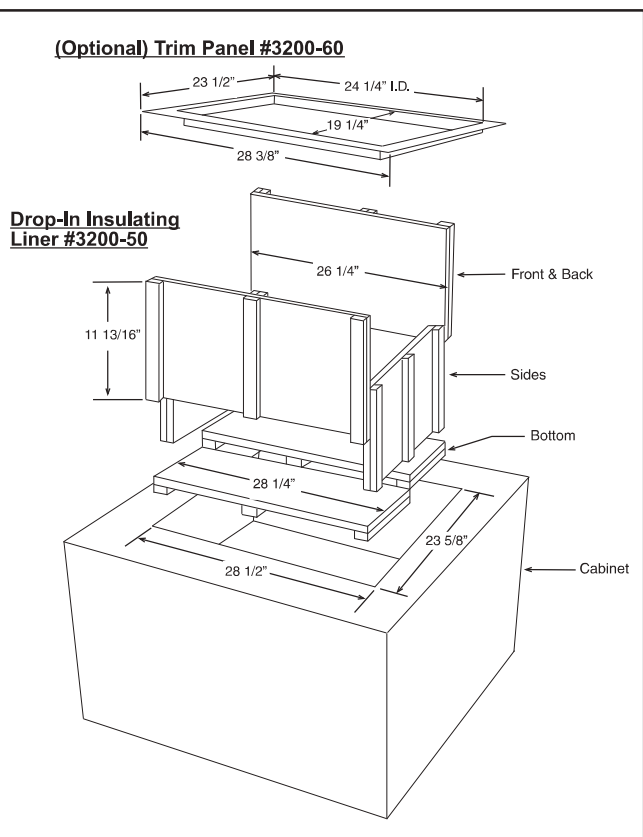
Note: When used with propane gas, additional holes or other venting must be provided in the bottom insulating panels and in the cabinet or air space below. Vents in the liner must not be adjacent to, or in direct line with combustible materials.

Refer to your grill installation instructions for special propane gas venting requirements.

INSTALLATION OF YOUR FIRE MAGIC GRILL

To install and operate your Fire Magic grill, please refer to the installation and operating instructions and safety precautions enclosed with your grill unit.

Replacement parts may be obtained from your nearest Fire Magic Dealer. For assistance in locating a dealer, you may contact the factory at the address listed below.



Robert H. Peterson Co. 14724 East Proctor Avenue, City of Industry, CA 91746